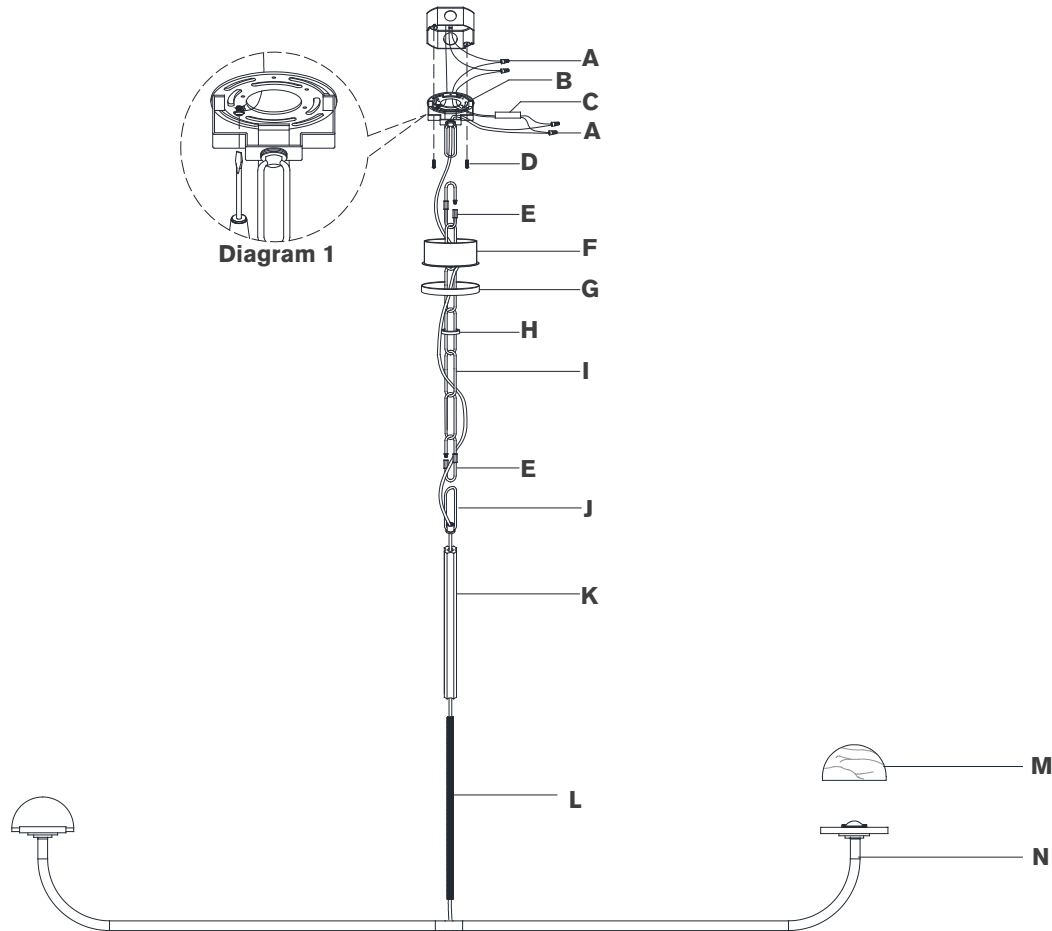


## ASSEMBLY INSTRUCTIONS

### Option 1: Canopy Mounted Driver



## Pedra 56" Linear Chandelier

Item # KW5625

### NOTICE:

This light fixture should be installed in accordance with all applicable, local installation codes, and by a person familiar with the construction and operation of it, as well as the hazards involved. Inspect item and contents carefully. If any damage or defect is found, do not install. Retain all packaging material until installation is complete and approved.

### TOOLS REQUIRED (NOT INCLUDED):

Phillips Screwdriver	Slotted Screwdriver	Chain Pliers
Slip Joint Pliers	Measuring Tape	Wire Cutters
Wire Strippers		

1. Carefully remove all parts from the box. Place on a clean, soft surface.
2. Remove tall mounting plate **(B)** from driver housing **(F)** and canopy **(G)** by removing collar ring **(H)**.
3. Install tall mounting plate **(B)** to the junction box and secure with mounting screws **(D)**.
4. Install driver housing **(F)** and canopy **(G)** to tall mounting plate **(B)** and secure with collar ring **(H)**.
5. Determine desired overall length, and amount of chain **(I)** needed. Shorten chain using chain pliers. (Keep extra chain)
6. Feed fixture wire through threaded rod **(L)**, tube **(K)**, fixture loop **(J)**, then install threaded rod **(L)** & tube **(K)** to fixture **(N)** and secure using fixture loop **(J)**.
7. Attach chain **(I)** to collar loop and to fixture loop **(J)** using quick links **(E)**. Secure quick links **(E)**.
8. Thread fixture wire through chain **(I)**.  
**NOTE:** When you reach tall mounting plate **(B)**, ensure there is no tension on the wires. Cut excess wires, being sure to leave enough to reach the junction box.
9. Separate two sides of molded wire, and strip insulation on each 5/8".
10. Loosen collar ring **(H)** and let driver housing **(F)** and canopy **(G)** slip down chain **(I)** carefully.





